

INSET 1 - LEFT TURN
(Scale 1:250)

16.0m LOW LOADER
(Scale 1:500)

GENERAL NOTES

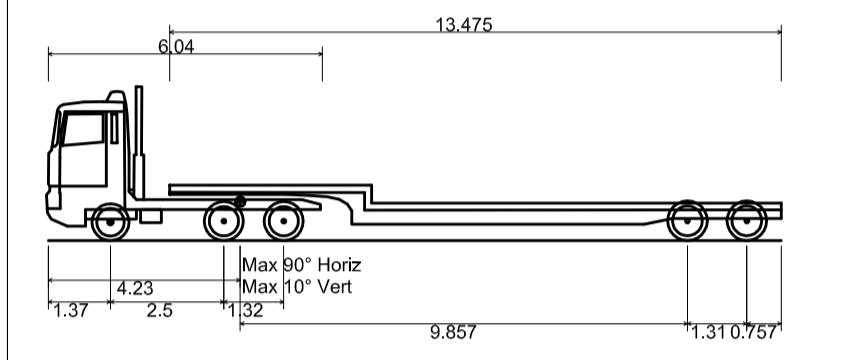
1. THE CONTENT OF THIS DRAWING IS FOR INDICATIVE INFORMATION ONLY AND NOT SUITABLE FOR CONSTRUCTION PURPOSES
2. THIS DRAWING IS TO BE READ IN CONJUNCTION WITH ALL RELEVANT ARCHITECTS AND ENGINEERS DRAWINGS AND SPECIFICATIONS.
3. DO NOT SCALE THIS DRAWING. ANY AMBIGUITIES, OMISSIONS AND ERRORS ON DRAWINGS SHALL BE BROUGHT TO THE ENGINEERS ATTENTION IMMEDIATELY. ALL DIMENSIONS MUST BE CHECKED / VERIFIED ON SITE.
4. ALL DIMENSIONS ARE IN METRES UNLESS NOTED OTHERWISE.
5. FOR GENERAL NOTES REFER TO DRAWING.

KEY

- FORWARD GEAR
- REVERSE GEAR
- ON-STREET PARKING

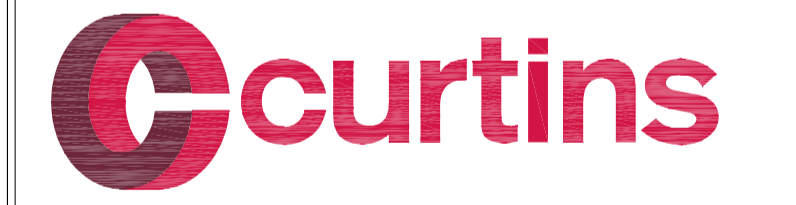


VEHICLE PROFILE



Low Loader	16.154m
Overall Length	16.154m
Overall Width	2.520m
Overall Body Height	3.393m
Min Body Ground Clearance	0.318m
Max Track Width	2.500m
Lock to lock time	6.00s
Kerb to Kerb Turning Radius	6.990m

P1	INITIAL DRAFT ISSUE.	24.09.19	MW	BD
Rev:	Description:	Date:	By:	Chkd:



Curtins Consulting Ltd
40 Compton Street, London, EC1V 0AP
t: 020 7324 2240 f: 020 7324 2241
e: london@curtins.com www.curtins.com

Structures • Civils • Environmental • Infrastructure • Transport Planning • Health & Safety • Dispute Resolution
Birmingham • Bristol • Cardiff • Douglas • Edinburgh • Kentish • Leeds • Liverpool • London • Manchester • Nottingham

INFORMATION

Project:
BEDFORD PASSAGE

Drwg Title:
**16.0m LOW LOADER
SWEEP PATH ANALYSIS**

Scale:	Size:	First Issue:	Drawn:	Checked:
AS SHOWN	A1	24.09.19	MW	BD

Drwg No:	Rev:
73853-CUR-00-XX-DR-TP-05004	P1